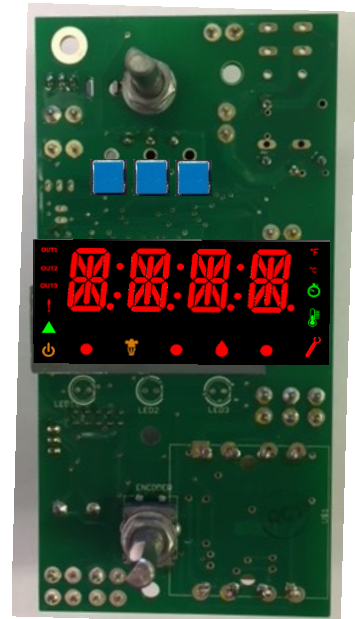


Sub-panel Universal Digital Microprocessor Time and Temperature Control

General Description

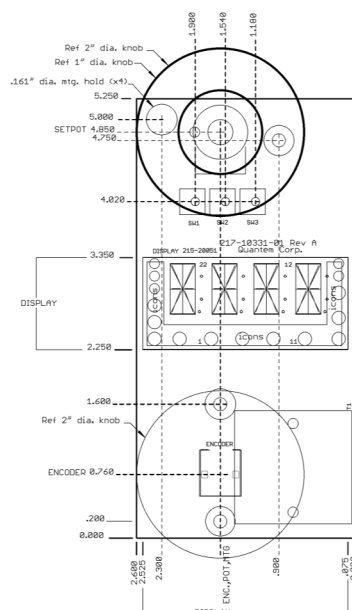
The Series 130 is an economical high performance time and temperature control. It is a generic micro-processor platform which is configurable and designed to be a one-size-fits-all controller. The design uses a microprocessor which can be programmed to accept RTD, NTC, or PTC probes. It has up to 2 probe inputs, 1 relay output, and 1 open collector drivers. It has an onboard potentiometer, push button encoder, and 3 pushbutton switches. The custom 14 segment alpha-numeric display provides a versatile user interface. The icon based display provides pertinent information at a glance. The controller has a USB interface for communication or software updates. There is also an optional port used for CAN and Serial communications and add on expansion boards. If you need a time/temperature or temperature control, please email sales@QuantemCorp.com to discuss your application. The Series 130 platform is low cost and versatile while providing high end options and performance.



Specifications

Line Voltage:	120 +/-15% or 240 +/-10% 50/60 Hz VAC, 12VAC/DC or 24 VAC/DC factory set .	Outputs	2 open collector drives 1 of which is configured for mechanical relay options.
Inputs	2 analog / digital inputs	USB	USB port for boot loader and external interface
Switch Inputs	3 on board tactile	Audible	On board speaker 2400Hz 90db with variable tones.
Encoder	1 Push Button Encoder	Expansion	Accepts custom expansion modules.
Potentiometer	1 On Board Potentiometer	Communication: CAN, UART, USB, expansion board port	
Expansion	Accepts custom expansion modules	Agency	CuR E70308

Dimensional Outline



How to Order

All possible combinations not listed, call factory for details.

