

Manual Fan Speed Control

General Description

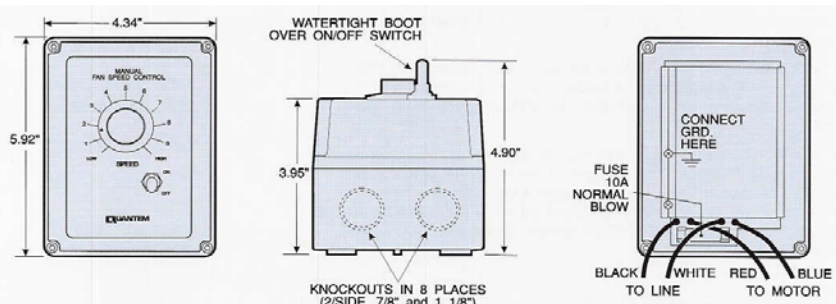
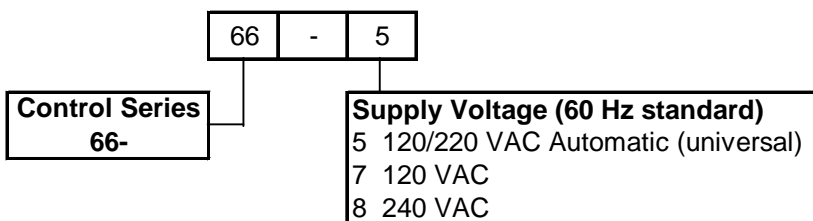
Quantem's series of manual fan speed controllers electrically modulate the speed of ventilating fan motors. They are widely used in ventilation applications in farm and industrial buildings. This manual control minimizes fan speed and noise, where ambient temperatures permit, to maintain optimum air circulation in ventilated areas.

Quantem's controllers should be used to modulate the speed of ventilating and condenser fans driven by shaded pole or permanent split capacitor motors. Such motors must be designed for phase control. Use of these controllers should be with those motors specified as compatible with phase angle control by the fan manufacturer.

The Series 66 Modulator has been designed for wall mounting. Its unique packaging protects critical component circuitry against dust and moisture. The fully gasketed housing is designed to meet the NEMA specification Article 547 for agricultural building use.

The controller is comprised of a power supply, an amplifier circuit, a suppressor circuit to reduce electrical noise interference and a voltage protected triac (solid state AC switch). The operating voltage needed for the amplifier and triac trigger circuits is provided by the power supply. During operation, the controller maintains motor speed at the set point speed, which is manually adjustable.

How to Order



Features

- Energy Saving Solid State Design
- Universal 120/240 VAC Power Supply
- 8.5 Amp Full Load Rating
- Triac Triggered Circuitry
- Accessible Control Adjustments
- Compact Control in NEMA 4x Compatible Case Suitable for Wall Mounting
- Rugged, Gasketed Design to meet NEMA Spec Article 547 for Agricultural Application
- Unique "kick-start" on Power Start Up

Specifications

Voltage: 96/264VAC
 Output: 8.5A full load, 20.5A locked rotor
 Stability: 2% FS
 Operating ambient: up to 120 deg F
 Idle adjustment 25% to 98% line voltage
 Noise: RF suppression standard
 Overall size, unit: 4.3 x 5.9 x 4.9 in
 Mounting: To 4x4 junction box