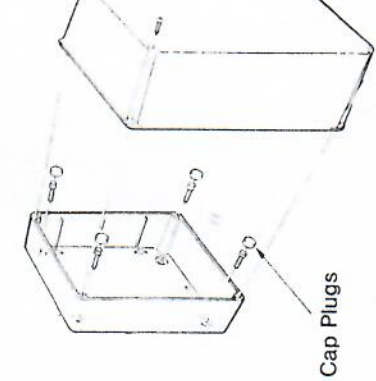


**GENERAL DESCRIPTION**

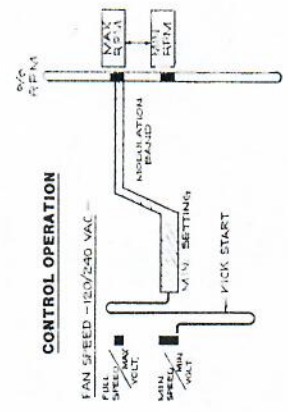
The Series 66 is a Wall Mount Nema 4X Enclosed Manual Fan Speed Modulator which varies electrical motor speed in response to the desired setting. It is suitable for use in ventilation fan motor or condenser applications that use a permanent split-capacitor or shaded-pole motor designed for phase control. The 66 is protected from adverse elements by it's water-tight and dust-resistant housing. To regulate, simply set the adjustment knob to the desired percent of full speed. The motor will run continuously at that setting.

**ELECTRICAL SPECIFICATIONS: MODEL 66-5**

- POWER INPUT:** 96 to 264 VAC 60Hz universal power supply.
- OUTPUT (LOAD):** 8.5A ma. continuous (full load), 20.5A locked-rotor current, 10 seconds max.
- KICK-START:** Upon initial application of power to the load, full power output conditions will prevail for approximately three seconds. This feature is independent of fan speed setting.
- VOLTAGE ADJUSTMENT RANGE:** 25% to 98% of actual line voltage, average (nominal). RPM will vary depending on fan motor. Refer to motor specification.
- OUTPUT PROTECTION:** A 10A normal blow fuse is included to help protect the control against unusual overloads.
- NOTE:** Replace only with like device.
- ON/OFF SWITCH:** Splash resistant ON/OFF disconnect switch.



**MECHANICAL DIMENSIONS**



**CONTROL OPERATION**

- INSTALLATION AND MOUNTING INSTRUCTIONS:**
    1. Remove top cover from enclosure base.
    2. Punch or drill correct hole size depending on conduit connections or use appropriate knockouts (where provided).
    3. Secure the conduit locknuts inside and out.
    4. Mount plastic base to wall.
    5. Use std. screws and install cap plugs over screws (plugs are included in kit).
- NOTE:** The installation notes are intended as a guide to assure proper mtg. techniques are followed. Additional information can be found in NEMA Pub#250-1985 National Electric Code and UL #508.

 TRENTON, NEW JERSEY	TITLE	REV.
	MANUAL FAN SPEED CONTROL	66-5
REF: WALL MOUNT WATERTIGHT DUST RESISTANT	DWG. NO.	

THIRD ANGLE PROJ.	SIZE
	B

MATERIAL	FINISH

SCALE	DRAWN	APPROVED
DATE		
5.4.72		

DIMENSIONS ARE IN INCHES
TOLERANCES ARE:
DECIMALS .XX ±.03 .XXX ±.005
ANGLES ±1°