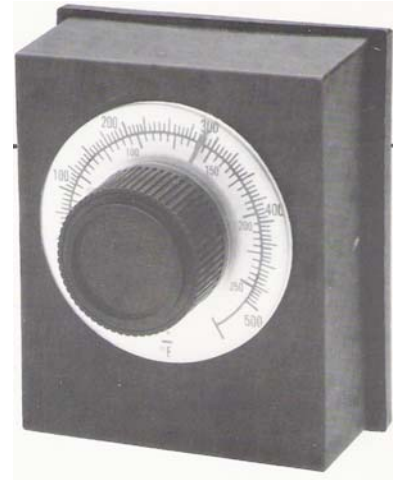


# Electronic Thermostat

## General Description

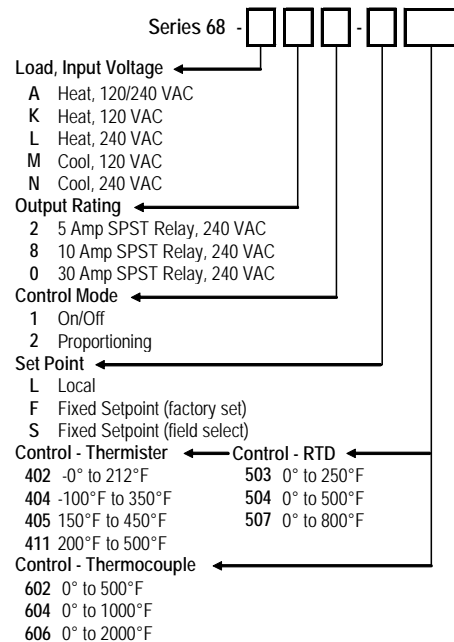
The Series 68 electronic thermostat is an economical panel mount temperature control with integral setpoint adjustment. It features field- or factory- selectable (120/240 VAC) input power and the choice of thermocouple, PRTD, or NTC thermistor sensor inputs. The 68 Series has been specifically designed as an accurate electronic alternative and/or replacement for pneumatic-type thermostats (bulb and capillary). The control electronics are packaged in a rugged panel mount enclosure offering additional protection to environmental conditions.



## Specifications

- Line Voltage** 120 or 240 VAC +10%, -15% 50/60 Hz
- Output Switching Device Options** See How To Order Section
- On/Off Control Mode** Switching Differential (typical) 1°C
- Temp Sensors:** See How To Order Section
- Operating Ambient** 0° to 55°C (32°F to 130°F) standard. Some models available for ambients up to 85°C. 0-90% RH non-condensing.
- Calibration Accuracy:** Better than 1% of span at 25°C at rated line voltage.
- Calibration Method:** Offset and span trim pots factory preset to adjust process temp. to direct reading panel mount scale plate.
- Setpoint Stability:** Typically less than 1°C /10°C ambient change; ±0.01% of span /1% change in line voltage.
- Setpoint Adjustment:** Local Setpoint adjustment. Consult factory for fixed setpoint adjustment.
- Weight:** 0.5lb (2.5kg)
- Terminals:** .25" quick connects.
- Sensor Protection:** RTD and Thermistor open or short will de-energize relay. Thermocouple open will de-energize relay.
- Agency Approval: UL File E70308 CSA LR 68215-3.

## How to Order



## Wiring and Dimensions

