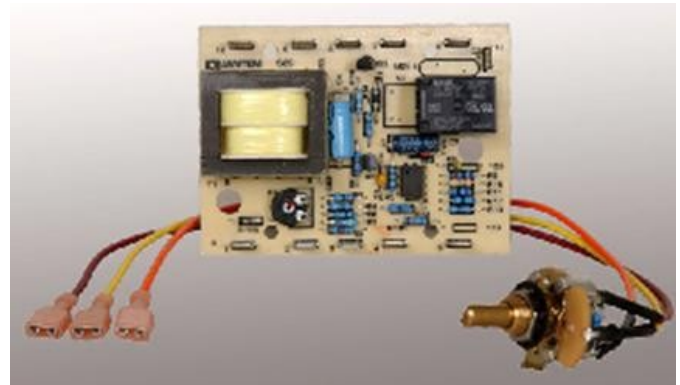


Electronic Thermostat

General Description

The Series 69 Digital electronic thermostat is an economical panel mount temperature control with integral setpoint adjustment. It features field- or factory- selectable (120/240 VAC) input power and the choice of PRTD, PTC, or NTC thermistor sensor inputs. The 69 Series has been specifically designed as an accurate electronic alternative and/or replacement for pneumatic-type thermostats (bulb and capillary). It also contains many other options coupled with a microprocessor which makes it a flexible platform for a variety of applications. It has flexible input and outputs that can be combined with processor functions such as timers, A2D's, switch inputs, open collector outputs, etc. This makes the Series 69 Digital ideal for numerous applications.

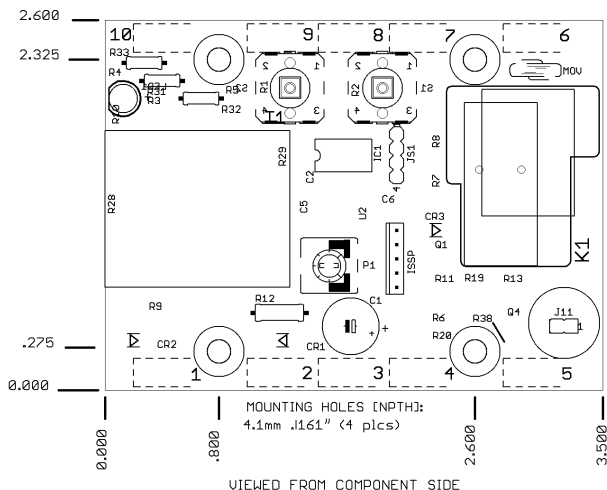


Specifications

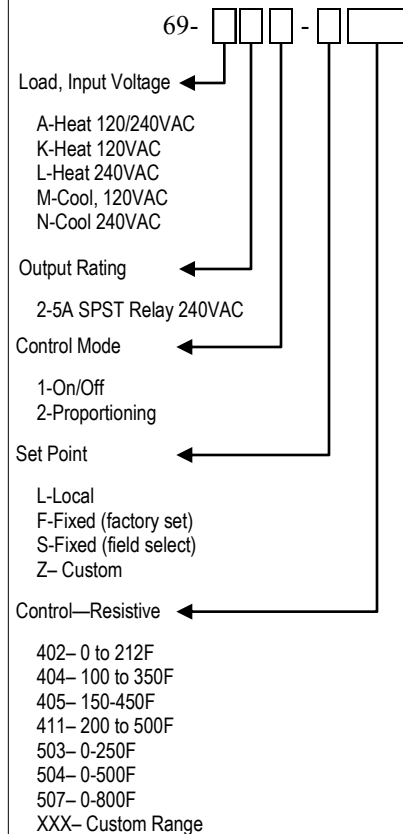
Line Voltage 120 or 240 VAC +10%, -15% 50/60 Hz
Operating Ambient 0° to 55°C (32°F to 130°F) standard.
Weight: 0.5lb (2.5kg)
Terminals: .25" quick connects.
 Agency Approval: UL File E70308 CSA LR 68215-3.

IO#	Option
1	Sensor, or SW1, or remote digital in (1/4"QC)
2	On Board Potentiometer, or digital in(.025" sq .1ctr)
3	digital in(.025" sq .1ctr)
5	On Board Buzzer, Ext. Buzzer, or Open Collector
6	LED, Relay, or LED and Relay
7	Sensor, External Potentiometer, digital in (1/4" QC), or SW2.

Wiring and Dimensions



How to Order



Notes

For detailed configuration and application assistance, please call us. We will be happy to discuss your application and assist in the configuration of the device. It is difficult to define all the options and configurations, so please call with any questions. We have many different control platforms to choose.