

## Digital Thermotimer— Configurable with On/Off Output

### General Description

The RK800(1) is an electronic digital thermotimer designed for use in electric bread ovens. The thermotimer has 3 outputs and an optional Real Time Clock (RTC) in the RK801 model. The 96mm x 96mm size with the digital display is perfect for use in ovens where time and temperature are managed. The three 8 amp relay outputs are configurable using a hidden menu. The unit accepts J or K thermocouple input, and 230VAC or 24VAC input. The outputs are programmed to control heater, steam extractor, and alarmed cooking timer, with four modes of operation available:

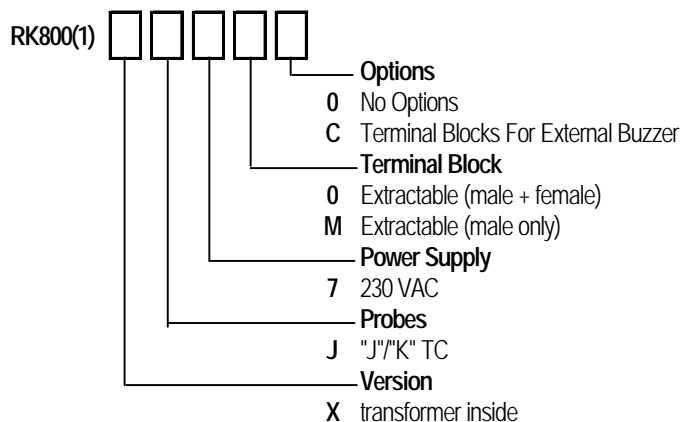
Mode 1: heater, steam extractor, and alarm output management.

Mode 2: heater, auxiliary, and cooking timer output management.

Mode 3: heater, auxiliary, and steam injection output management.

Mode 4: heater, steam extractor, and acoustic output management.

### How to Order



Note: RK801 includes Real Time Clock (RTC).



### Specifications

- Range:** 0-700C (J T/C), 0/999C (K T/C)
- Power:** 230VAC or 24VAC
- Control:** On-off
- Frontal Protection:** IP65
- Resolution:** 1 degree C/F
- Control output:** Three 8A relays
- Timer set point:** 00:00 to 24:00 h:min
- Display:** One Red 3 Digit Display For temperature, One Green 4 digit display for time.
- Operating environment:** 0 to 55 deg C, 10 to 90% non-condensing
- Sensor protection:** On open or short circuit
- Overall dimensions:** 96 x 96 x 78mm (3.77 x 3.77 x 3.07")
- Mounting:** Panel mount in 92x92mm with screw brackets.
- Connections:** Screw Terminal blocks (standard).

### Wiring

