

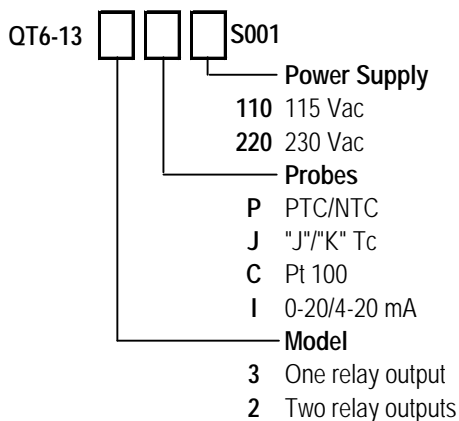
On-off digital thermoregulator With one or two outputs

General Description

QT6-133/2 is on-off digital thermoregulator with one (QT6-133) or two outputs (QT6-132).

Some parameters allow to manage the regulation outputs according with the requirements, to protect the loads against overloads due to several starts repeated in a short time, to signal working conditions outside the limits one has set.

How to Order



Specifications

Ambient temperature: from 0 to +60 °C (+32 to +140 °F, 10 ... 90 % of not condensing relative humidity).

Power supply: 230 Vac or 115 Vac or 24 Vac or 12-24 Vac/dc or 12 Vac/dc, 50/60 Hz, 2 VA.

Insulation class: II.

Alarm buzzer: incorporated.

Measure inputs: 1 configurable, hardware depending, for PTC/NTC probes or "J"/"K" thermocouples or 2/3 wires Pt 100 probes or 2 and 3 wires 0/4-20 mA temperature transducers (Ri 12 Ohm); the transducer must have own power supply.

Working range: from -50 to +150 °C (-58 to +302 °F) for PTC probe, from -40 to +110 °C (-40 to +230 °F) for NTC probe, from -99 to +700 °C (-99 to +999 °F) for "J" thermocouple, from -99 to +999 °C (-99 to +999 °F) for "K" thermocouple, from -99 to +600 °C (-99 to +999 °F) for 2/3 wires Pt 100 probes, configurable for 2 and 3 wires 0/4-20 mA temperature transducers.

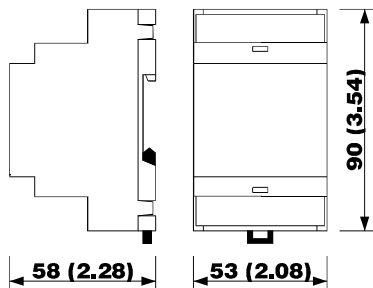
Setting range: from -99 to +999 °C (-99 to +999 °F).

Resolution: configurable for 0.1 (except the instruments preset to accept at the measure input "J"/"K" thermocouples) or 1 °C (1 °F).

Display: 3-digit display 12.5 mm (0.49 in.) high red LED display with automatic decimal point and minus sign, output status indicators.

Outputs: two change-over contact 8 (3) A @ 250 Vac relays for regulation loads management.

Dimensions



Wiring

