

## On-off digital thermoregulator With one or two outputs

### General Description

QT4-133/2 is on-off digital thermoregulator with one (QT4-133) or two outputs (QT4-132).

Some parameters allow to set the device for cooling or heating operation, to protect the load against overloads.

The instrument has been presetting to work with NTC probes.



### Specifications

**Ambient temperature:** from 0 to +60 °C (+32 to +140 °F, 10 ... 90 % of not condensing relative humidity).

**Power supply:** 230 Vac or 115 Vac or 12-24 Vac/dc or 12 Vac/dc, 50/60 Hz, 2 VA.

**Insulation class:** II.

**Measure inputs:** 1 configurable, hardware depending, for PTC/NTC probes or "J"/"K" thermocouples or 2/3 wires Pt 100 probes or 2 and 3 wires 0/4-20 mA temperature transducers (Ri 56 Ohm); at terminal 15 +12 V (+30 %, -20 %) are available to supply the transducer.

**Working range:** from -50 to +150 °C (-58 to +302 °F) for PTC probe, from -40 to +110 °C (-40 to +230 °F) for NTC probe, from -99 to +700 °C (-99 to +999 °F) for "J" thermocouple, from -99 to +999 °C (-99 to +999 °F) for "K" thermocouple, from -99 to +600 °C (-99 to +999 °F) for 2/3 wires Pt 100 probes, configurable for 2 and 3 wires 0/4-20 mA temperature transducers.

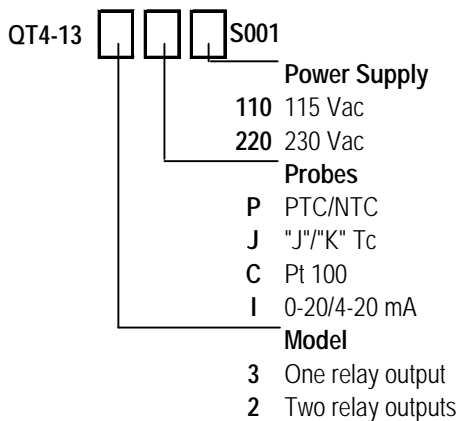
**Setting range:** from -99 to +999 °C (-99 to +999 °F).

**Resolution:** configurable for 0.1 (except the instruments preset to accept at the measure input "J"/"K" thermocouples) or 1 °C (1 °F).

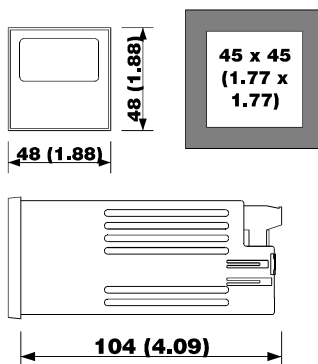
**Display:** 3-digit display 12.5 mm (0.49 in.) high red LED display with automatic decimal point and minus sign, output status indicator.

**Outputs:** one change-over contact 8 (3) A @ 250 Vac relay for regulation load management.

### How to Order



### Dimensions



### Wiring

