

## Two Channel Data Recorder

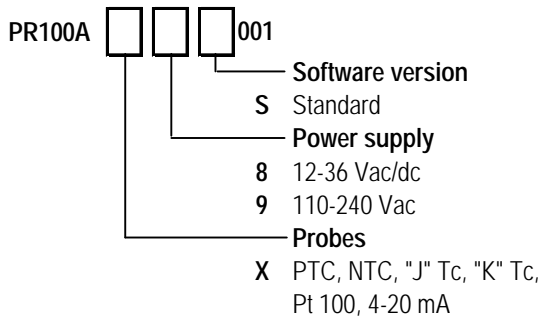
### General Description

PR 100 is a two channel data recorder (one can expand them up to six by using the expansion DR 100A).

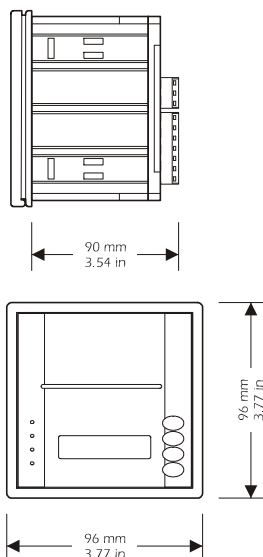
The controller has three printing modalities: "On Line Report", "Daily Report", and "Historical Report".

The device can store up to 2.200 printing lines for every channel.

### How to Order



### Dimensions



### Specifications



**Ambient temperature** From 0 to 55 °C (32 to 131 °F, 10 ... 90% of relative humidity without condensate).

**Power supply** 110-240 Vac, 50/60 Hz (standard model), 12-36 Vac/dc, 50/60 Hz (by request). The maximum power consumption is 12 W.

**Clock data maintenance without power supply** Typically more than 3 years.

**Capacity of memory** 2.000 printing lines, independently on the number of measure inputs (for example, if the acquisition interval is 15 min, the capacity of memory will be 500 h that will be about 21 days).

**Measure inputs** 2 (one can expand them up to 6 by using the expansion DR 100A) for PTC probes, NTC probes, "J" thermocouples, "K" thermocouples, 2 wires Pt 100 probes, 4-20 mA current transducers. At terminal 4 there are 12 Vdc you can use in order to supply the transducers.

**Digital inputs** 1 for remote print (NO contact) without voltage (it works with 5 mA).

**Working range** from -45 to 150 °C (-49 to 302 °F) for PTC probe, from -20 to 110 °C (-4 to 230 °F) for NTC probe, from -100 to 700 °C (-148 to 1,292 °F) for "J" thermocouple (if the cold joint is at 0 °C), from -100 to 1,300 °C (-148 to 2,372 °F) for "K" thermocouple (if the cold joint is at 0 °C), from -100 to 600 °C (-148 to 1,112 °F) for 2 wires Pt 100 probe.

**Resolution** 1 °F with unit of measure in Fahrenheit 1 °C with unit of measure in Celsius 1% of relative humidity. 1 bar.

**Display** one green LCD (2 lines per 16 characters) 11.5 mm (0.45 in) high instrument modes indicator.

**Maximum size of the roll of paper** 58 x Ø 30 mm (2.28 x Ø 1.18 in)

**Print width** 48 mm (1.88 in)

**Dot number (for every line)** 384

**Print density** 8 dot per mm

### Wiring

