

# Sub-panel Universal Digital Microprocessor Time and Temperature Control

## General Description

The Series 130 is an economical high performance time and temperature control. The Series 130 is a generic micro-processor platform which is configurable and designed to be a one-size-fits-all controller. The design incorporates one or two microprocessors which can be programmed to accept RTD, NTC, or PTC probes. It has 1 or two probe inputs, 1 or 2 relay outputs which can be rated at 5, 10, or 30A. It accepts a potentiometer input, or can be set using the 6 optional pushbutton switches. There are provisions for multiple digital inputs and the base board can be expanded to accept custom front panels. The optional 4 segment LED display can be either a clock display or numeric display with decimal point. If you need a time/temperature or temperature control, please email [sales@QuantemCorp.com](mailto:sales@QuantemCorp.com) to discuss your application. The Series 130 platform is low cost and versatile while providing high end options and performance.



## Specifications

**Line Voltage:** 120 +/-15% or 240 +/-10% 50/60 Hz VAC or 24 VAC factory set

**Output Switching Device Options:** One or two relays.

**Relay Options:**

- 10A @ 120VAC / 5A @ 240VAC or
- 10A @ 250VAC, 1/4HP @ 240VAC, 1/8HP @ 120VAC or
- 30A @ 120/240VAC

**Control Mode:** On/Off

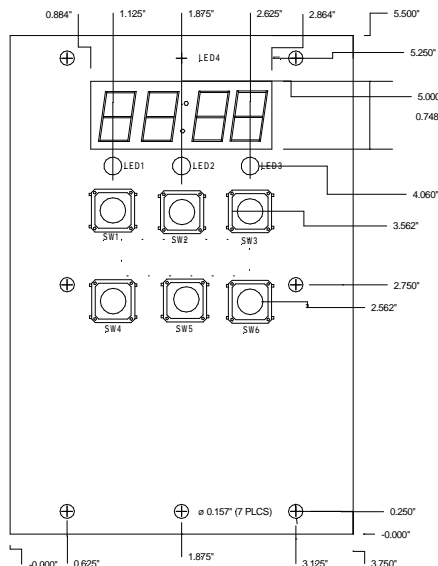
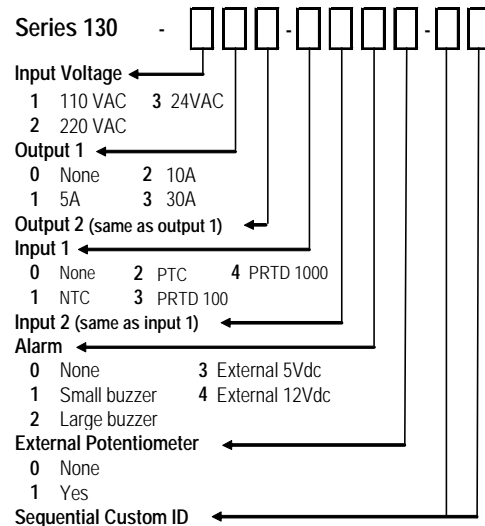
**Operating Ambient:** 0° to 80°C (32°F to 176°F)

**Input:** One or two Probes

**Probe Options:** NTC, PTC, or PRTD

**Set-point Options:** Analog potentiometer or Digital pushbutton.

## How to Order



## Wiring and Dimensions

