

Digital controller for electric ovens

General Description

EV7601 & 611 are digital controllers able to control an electric oven. The instruments can work with "J" or "K" thermocouples. Some configuration parameters allow to change the unit of measure of the temperature (Celsius/Fahrenheit), to signal working conditions outside the safety limits, to set the display color (among some available combinations), etc.

Through a function called "Cooking timer" it is possible to start a count down and get the output to work according to the timer; in EV7 611, the RTC (Real Time Clock) allows to plan the automatic starting of the instrument.

EV7601/611 frontal size is 72 x 72 mm (W x H) and has been studied for panel mounting.



Specifications

Box: self-extinguishing grey.

Frontal protection: IP 65 .

Connections: extractable terminal blocks (power supply, input and output).

Working temperature: from 0 to 55 °C (32 to 131 °F, 10 ... 90% of relative humidity without condensate).

Power supply: 230 Vac (terminals 9 and 11) or 24 Vac (terminals 9 and 10), 50/60 Hz, 2 VA (115 Vac, 50/60 Hz, 2 VA by request).

Clock data maintenance without power supply: 24 hours, on condition that the instrument has been turned on 2 min at least (only EV7611).

Alarm buzzer: included.

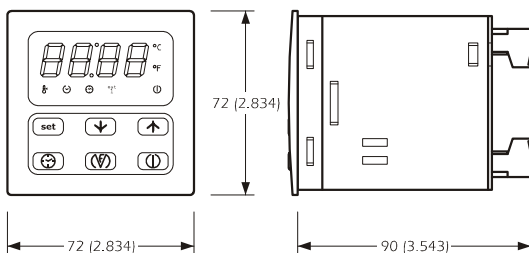
Measure inputs: 1 (room probe) for J/K thermocouples.

Working range: from 0 to 700 °C (32 to 999 °F) for J thermocouple, from 0 to 999 °C (32 to 999 °F) for K thermocouple.

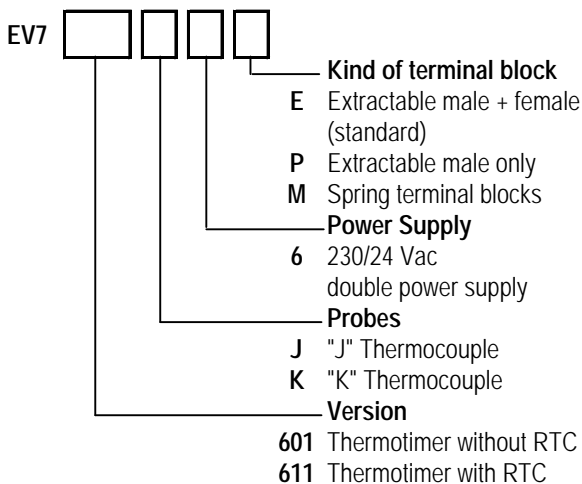
Resolution: 1 °C/1 °F.

Outputs: one 10 A @ 250 Vac relay (change-over contact).

Dimensions



How to Order



Wiring

