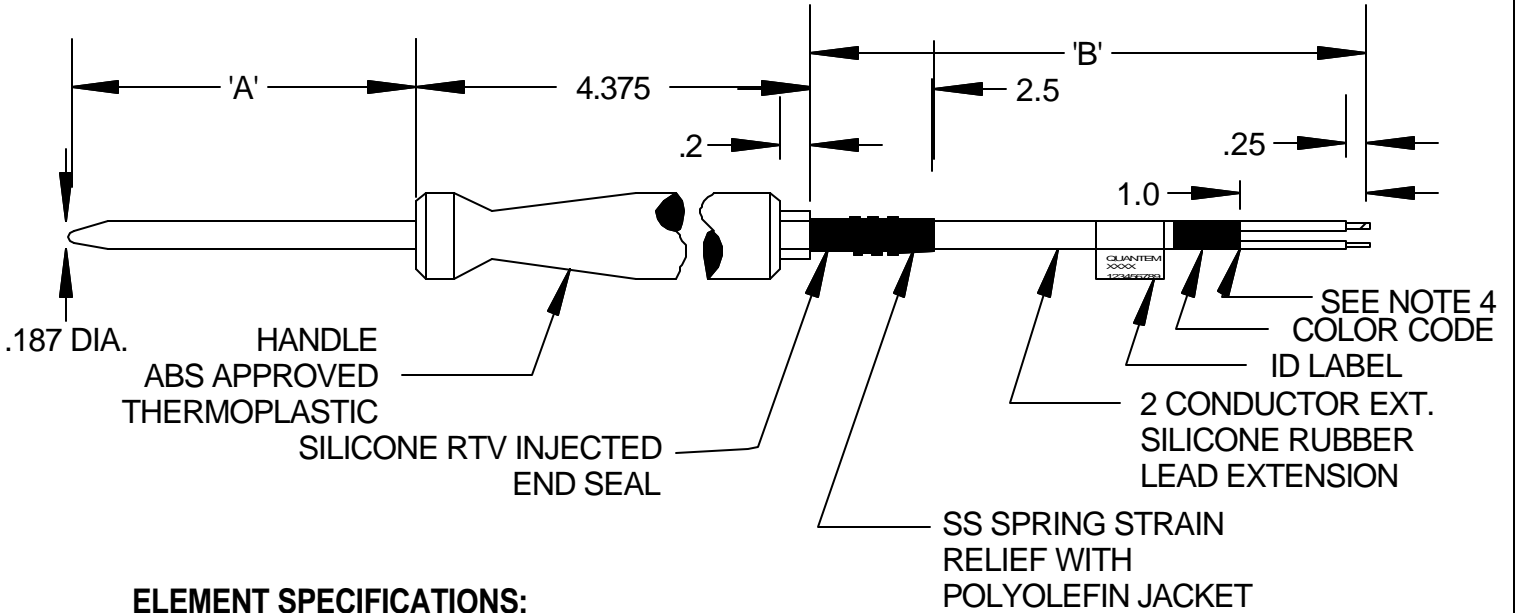


DASH	A	B	SERVOLIFT #	COLOR
1	8±.125	84±4"	105804	RED
2	8±.125	84±4"	105805	YEL.
3	8±.125	84±4"	105806	GRN.
4	8±.125	84±4"	105807	BLUE

LTR	DESCRIPTION	BY	DATE



ELEMENT SPECIFICATIONS:

TYPE: PLATINUM RESISTANCE THERMOMETER (DIN, STD IEC-751)
 RESISTANCE: 1000 OHMS ±.06% @ 0°C (CLASS 1A)
 TEMPERATURE COEFFICIENT: .385%/°C ±.0015%/°C FROM 0°C TO 100°C
 DISSIPATION CONSTANT: 5mw/°C IN STILL AIR AT 20°C
 170mw/°C IN STIRRED WATER AT 20°C
 OPERATING RANGE: -50°C TO 250°C (-50°F TO 500°F)
 STABILITY: 0.25% OF MAX. EXPOSED TEMPERATURE FOR ONE YEAR OF SERVICE
 REPEATABILITY: 0.1%(0.18°F) AFTER 10 CYCLES OF FULL TEMPERATURE RANGE

CONSTRUCTION:

SHEATH: 316 STAINLESS STEEL, BULB TIP (PIERCE TYPE) CONSTRUCTION
 WIRE: TWO CONDUCTOR #22AWG, EXTRUDED SILICONE RUBBER, RATING 150°C CONTINUOUS, 200°C INTERMITTENT
 HANDLE: 105°C RATING

NOTES:

1. OPERATING TEMPERATURE APPLIES TO 1ST 3" OF PROBE LENGTH
2. COLORED PVC SHRINK SLEEVE USED TO IDENTIFY DASH NUMBER
3. ID TAG CALLS MFG. DATE CODE, P/N AND CUSTOMER P/N
4. USER CAUTION: KEEP MOISTURE AND LIQUID AWAY FROM CONDUCTOR END OF LEAD EXTENSION

--- TOLERANCES UNLESS OTHERWISE SPECIFIED ---

SHEATH LENGTH +/- .100

LEAD LENGTH +/- .25 OR 2% WHICHEVER IS GREATER

WIRE STRIP +/- .125

Drawn	JJB
Approved	
Date	04-24-02
Scale	N/A


 TRENTON, NEW JERSEY
TITLE
 HAND HELD TEMPERATURE PROBE

Features/Model	CLASS A PT. RTD 1000Ω @ 0C
Drawing Number	223-80301
Revision	G