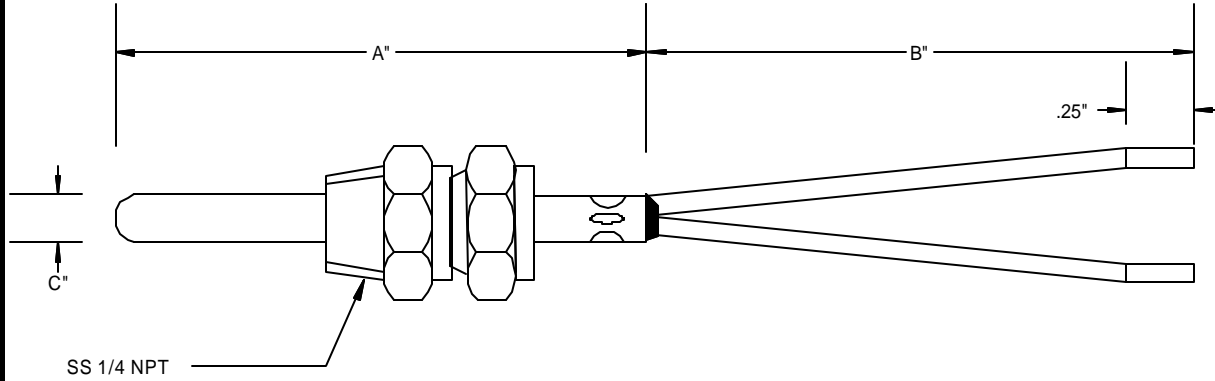


DASH	A	B	C	OHMS / CURVE
1	3	187	36"	2252 / J
2	3	187	36"	10000 / J
3	3	187	36"	30000 / J
4	6	125	36"	10000 / G
5	6	125	48"	50000 / J

LTR	DESCRIPTION	BY	DATE



ELEMENT:

Thermistor Type - NTC

Thermal Time Constant: 1 sec max in well stirred oil
or 10 seconds in air.

Dissipation Constant: 1mW/°C

Maximum Power Rating: 30mW/°C derated to 1mW at 125°C

Operating Temperature: -80°C to 150°C

Construction:

Strain Relief: Epoxy end seal.

Sheath: Stainless Steel type 300.

Fitting: SS300 1/4 NPT.

Wire: 22AWG stranded teflon.

--- TOLERANCES UNLESS OTHERWISE SPECIFIED ---

SHEATH LENGTH +/- .100

LEAD LENGTH +/- .25 OR 2% WHICHEVER IS GREATER

WIRE STRIP +/- .125

Drawn	JJB
Approved	
Date	05-24-01
Scale	N/A

 QUANTEM [®] CORPORATION <small>TRENTON, NEW JERSEY</small>	
Title	NTC ASSY WITH COMPRESSION FITTING

Features/Model	NTC COMPRESSION FITTING	
Drawing Number	223-40199	Revision