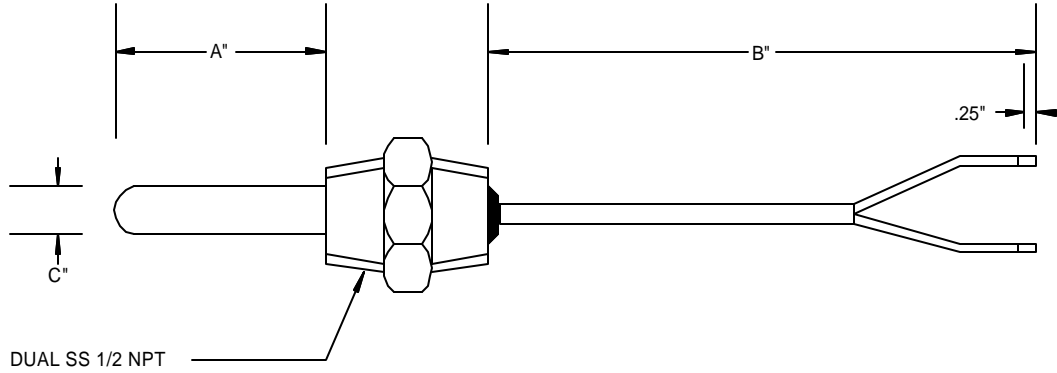


DASH	A	B	C	TYPE / MAX TEMP
1	3	187	36"	J / 200C
2	3	187	36"	J / 260C
3	3	187	36"	K / 200C
4	6	125	36"	K / 260C
5	6	125	48"	T / 200C

LTR	DESCRIPTION	BY	DATE



ELEMENT:

THERMOCOUPLE
 TYPE: SEE TABLE
 TOLERANCE: $\pm 2.2^{\circ}\text{C}$ OR .75% OF READING (WHICHEVER IS GREATER)
 MAXIMUM OPERATING TEMPERATURE: SEE TABLE

Construction:

- Strain Relief: Epoxy end seal.
- Sheath: Stainless Steel type 300.
- Fitting: SS300 dual 1/2 NPT.
- Wire: 24 AWG Solid with teflon insulation.

--- TOLERANCES UNLESS OTHERWISE SPECIFIED ---

SHEATH LENGTH +/- .100

LEAD LENGTH +/- .25 OR 2% WHICHEVER IS GREATER

WIRE STRIP +/- .125

Drawn	JJB
Approved	
Date	05-24-01
Scale	N/A


QUANTEM[®]
 CORPORATION
TRENTON, NEW JERSEY

Title: **TC ASSY WITH DUAL NPT**

Features/Model		DUAL NPT	
Drawing Number	223-15061	Revision	