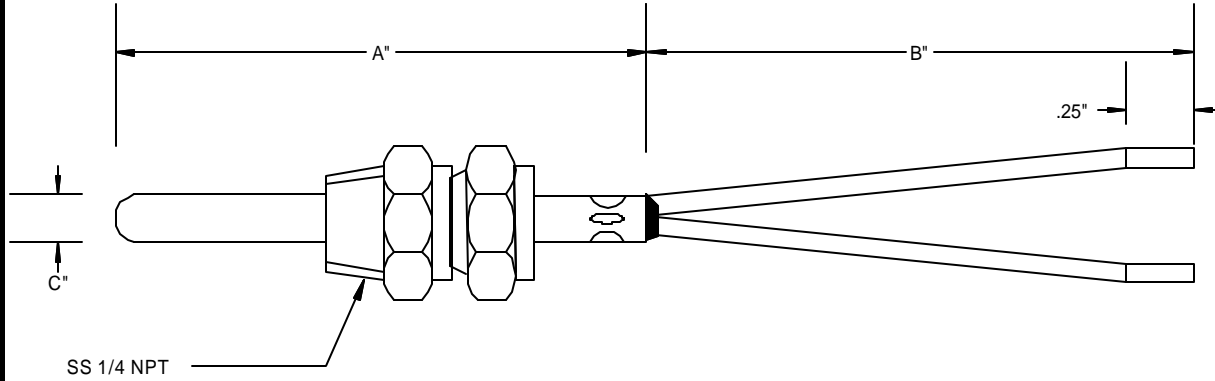


DASH	A	B	C	Element
1	3	187	36"	100 Ohms
2	3	187	36"	500 Ohms
3	3	187	36"	1000 Ohms
4	6	125	36"	100 Ohms
5	6	125	48"	1000 Ohms

LTR	DESCRIPTION	BY	DATE



**ELEMENT:**

Platinum Resistance Thermal Detector (PRTD):  
 Resistance: See Table  
 Tolerance:  $\pm 12\%$  @ 0°C Class B  
 Temperature Coefficient: .385%/°C from 0 to 100°C  
 Operating Temperature: -40 to 250°C  
 Maximum Operating Current: 10MA RMS  
 Stability: .25% of Maximum exposed temperature for one year of service  
 Repeatability: 0.1% after 10 cycles of full temperature range

**Construction:**

Strain Relief: Epoxy end seal.  
 Sheath: Stainless Steel type 300.  
 Fitting: SS300 1/4 NPT.  
 Wire: 22AWG stranded teflon.

--- TOLERANCES UNLESS OTHERWISE SPECIFIED ---

SHEATH LENGTH +/- .100

LEAD LENGTH +/- .25 OR 2% WHICHEVER IS GREATER

WIRE STRIP +/- .125

Drawn	JJB
Approved	
Date	05-24-01
Scale	N/A

  
 TRENTON, NEW JERSEY  
**RTD ASSY WITH COMPRESSION FITTING**

Features/Model	<b>RTD COMPRESSION FITTING</b>	
Drawing Number	<b>223-11330</b>	Revision